



Self-Propelled Telescopic Booms

S-60/S-65

○ With unique
out-and-up
jib option.

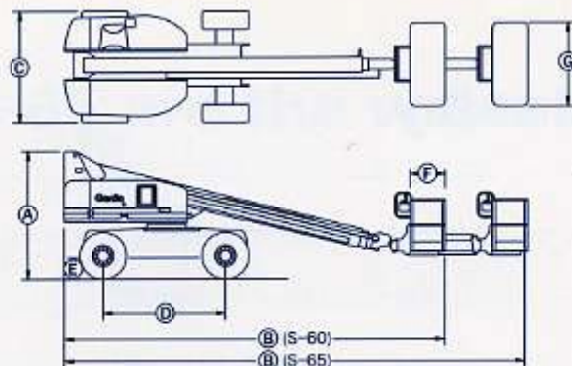
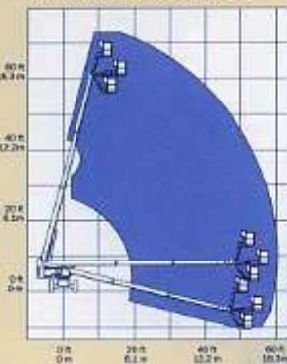


S-60/S-65

Standard Features

- S-60 has 66 ft (20.1 m) working height
- S-65 has 71 ft (21.6 m) working height
- S-60 has 51 ft 3 in (15.6 m) horizontal reach
- S-65 has 56 ft 4 in (17.2 m) horizontal reach
- Up to 600 lb (272 kg) lift capacity on the S-60
- 500 lb (227 kg) lift capacity on the S-65
- Oscillating axle system
- Dual extended cylinders
- Dual fuel (Gas/LPG) or diesel engine options
- Fully proportional platform controls with ramp up/down feature
- Hydraulic platform rotation
- 360° continuous turntable rotation
- 12V DC auxiliary power
- Fuel select switch on platform and ground control panels (Gas/LPG models)
- Closed-loop hydrostatic drive
- Positive traction drive
- Drive enable system
- Self-leveling platform
- Rough terrain air tires
- Locking turntable covers
- Anti-restart engine protection
- Auto engine fault shutdown
- Engine monitoring gauges
- AC wiring to platform
- Wire braided hose
- Tilt alarm
- Horn
- Hour meter

Range of Motion



Specifications

Model	S-60		S-65	
	US	Metric	US	Metric
Working height max	66 ft	20.1 m	71 ft	21.6 m
Platform height max	60 ft	18.3 m	65 ft	19.8 m
(A) Height - stowed	9 ft	2.74 m	9 ft	2.74 m
(B) Length - stowed	27 ft 2 in	8.3 m	30 ft 10 in	9.4 m
(C) Width	8 ft	2.44 m	8 ft	2.44 m
(D) Wheelbase	9 ft	2.74 m	9 ft	2.74 m
(E) Ground clearance	12 in	30 cm	12 in	30 cm
(F) Platform length:				
6 ft	30 in	76 cm	30 in	76 cm
8 ft	36 in	91 cm	36 in	91 cm
(G) Platform width:				
6 ft	72 in	1.83 m	72 in	1.83 m
8 ft	96 in	2.44 m	96 in	2.44 m
Horizontal reach max	51 ft 3 in	15.6 m	56 ft 4 in	17.2 m
Maximum lift capacity				
6 ft platform	600 lb	272 kg	500 lb	227 kg
8 ft platform	500 lb	227 kg	500 lb	227 kg
Turning radius - outside	22 ft 2 in	6.76 m	22 ft 2 in	6.76 m
Turning radius - inside	12 ft 1 in	3.68 m	12 ft 1 in	3.68 m
Turntable rotation	360° continuous		360° continuous	
Turntable tailswing	3 ft 3 1/2 in	1 m	3 ft 3 1/2 in	1 m
Power source	Ford LRG 425 EFI Gas/LPG 82 hp (61 kw) Deutz Diesel F4L 1011 56 hp (42 kw) Perkins Diesel 704-30 60 hp (45 kw)			
Controls	12V DC proportional		12V DC proportional	
Platform rotation	160°		160°	
Tires	15 - 19.5 NHS		15 - 19.5 NHS	
Hydraulic tank capacity	45 gal	170 litre	45 gal	170 litre
Fuel tank capacity	33 gal	125 litre	33 gal	125 litre
Weight	26,060 lb	11,821 kg	28,400 lb	12,882 kg
S-60 and S-65	4x2		4x4	
Drive speed - stowed	4.4 mph	7.1 km/h	3 mph	4.8 km/h
Gas/LPG models	40 ft/6.2 sec	12.2 m/6.2 sec	40 ft/9.1 sec	12.2 m/9.1 sec
Drive speed - stowed	4 mph	6.4 km/h	2.8 mph	4.5 km/h
Diesel models	40 ft/6.8 sec	12.2 m/6.8 sec	40 ft/9.7 sec	12.2 m/9.7 sec
Drive speed, raised or extended (all models)	0.6 mph	1 km/h	0.6 mph	1 km/h
	40 ft/40 sec	12.2 m/40 sec	40 ft/40 sec	12.2 m/40 sec
Gradeability - stowed	30%		40%	

Options and Accessories

- Alarm package
- Cold start packages
- 2500 or 3000 watt AC generator
- 8 ft (2.44 m) steel platform
- 750 lb (340 kg) lift capacity option on the S-60
- Platform swing gate
- Air line to platform
- Platform rail pinch guard
- Platform work lights
- Lockable platform control box cover
- Tool tray
- Fluorescent tube caddy
- Hostile environment packages
- Hydraulic oil cooler
- Additional LPG tank
- GS/LPS rating for Ford engine powered machines
- Rough terrain foam-filled tires
- Driving lights
- Pipe cradle

Standards Compliance

- ANSI/SIA A92.5
- CSA CAN3-B354.4-M82
- CE compliance option
- AS 1418.10

Distributed By:

Genie Industries

GENIE UNITED STATES

18340 NE 76th Street
P. O. Box 97030
Redmond, Washington 98073-9730
Telephone (425) 881-1800
Toll Free in USA/Canada 800-536-1800
Fax (425) 883-3475
<http://www.genielift.com>

GENIE UNITED KINGDOM

The Maltings, Wharf Road
Grantham
Lincolnshire NG31 6BH
England
Telephone (44) 01476-584333
Fax (44) 01476-584334
<http://www.genielift.com>