



Self-Propelled Articulating Boom

**Z-45/25 & Z-45/25J
DC and Bi-Energy**

Efficient electric
or Bi-Energy power
for all day use.



Genie Industries

Standard Features

- Over 51 ft (15.5 m) working height
- Over 24 ft (7.3 m) horizontal reach
- Up and over clearance of over 22 ft (6.7 m)
- 5 ft (1.52 m) turning radius
- 500 lb (227 kg) lift capacity
- Fully proportional controls
- 180° hydraulic platform rotation on Z-45/25 models
- 160° hydraulic platform rotation on Z-45/25J models
- 24V DC auxiliary power unit
- Drive enable system

- End mount platform on Z-45/25J models
- AC wiring to platform
- Tilt alarm
- Horn
- Hour meter

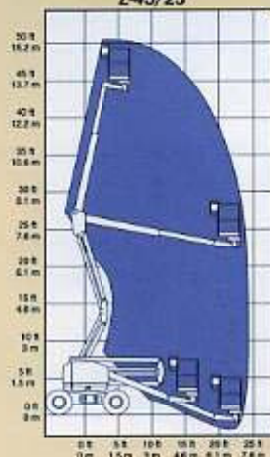
Options and Accessories

- Alarm package
- 4, 5 or 6 ft (1.22 m, 1.52 m or 1.83 m) steel platforms
- Platform swing gate
- Air line to platform
- Full rail platform pinch guard
- Platform work light
- Platform control box cover
- Industrial foam or industrial non-marking tires

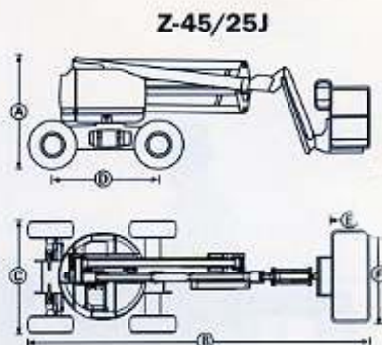
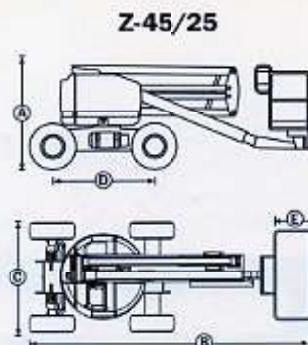
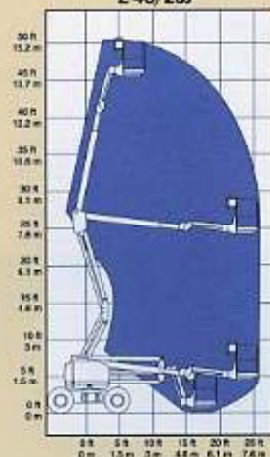
Standards Compliance

- ANSI/SIA A92.5
- CSA CAN3-B354.4-M82
- CE compliance option
- AS 1418.10

Range of Motion
Z-45/25



Z-45/25J



Specifications

	Z-45/25		Z-45/25J	
	US	Metric	US	Metric
Working height	51 ft 5 in	15.7 m	51 ft 3 in	15.6 m
Platform height	45 ft 5 in	13.8 m	45 ft 3 in	13.8 m
(A) Height - stowed	6 ft 7 in	2 m	6 ft 7 in	2 m
(B) Length - stowed	18 ft	5.5 m	22 ft 3 in	6.8 m
(C) Width	5 ft 9 in	1.75 m	5 ft 9 in	1.75 m
(D) Wheelbase	6 ft 8 in	2.03 m	6 ft 8 in	2.03 m
Ground clearance - center	8 1/2 in	22 cm	8 1/2 in	22 cm
Ground clearance - min	7 in	18 cm	7 in	18 cm
(E) Platform length	30 in	76 cm	30 in	76 cm
(F) Platform width	72 in	1.83 m	72 in	1.83 m
Horizontal reach max	24 ft 6 in	7.5 m	25 ft 3 in	7.7 m
Up and over clearance	22 ft 6 in	6.9 m	23 ft 5 in	7.1 m
Lift capacity	500 lb	227 kg	500 lb	227 kg
Turning radius - inside	5 ft	1.52 m	5 ft	1.52 m
Turntable rotation	359°		359°	
Turntable tailswing	zero		zero	
Platform rotation	180°		160°	
Power source	48V DC (8 6V 315 AH batteries) or 48V DC with Kubota Diesel 12 hp (9 kw)			
Drive speed - stowed	3 mph	4.8 km/hr	3 mph	4.8 km/hr
Drive speed - raised	0.6 mph	1 km/hr	0.6 mph	1 km/hr
Lift speed to full height	90 sec		90 sec	
Controls	24V DC proportional		24V DC proportional	
Auxiliary power unit	24V DC		24V DC	
Tires	9 - 14.5		9 - 14.5	
Gradeability - stowed	30%		30%	
Hydraulic tank capacity	8 gal	30 litre	8 gal	30 litre
Fuel tank capacity	9 gal	34 litre	9 gal	34 litre
Weight - DC	15,100 lb	6,849 kg	15,800 lb	7,167 kg
Weight - Bi-Energy	15,500 lb	7,031 kg	16,200 lb	7,348 kg

Distributed By:

Genie Industries

GENIE UNITED STATES
18340 NE 76th Street
Post Office Box 97030
Redmond, Washington 98073-9730
Telephone (425) 881-1800
Toll Free in USA/Canada 800-536-1800
Fax (425) 883-3475
<http://www.genielift.com>

GENIE UNITED KINGDOM
Brunel Drive, Newark
Nottinghamshire NG24 2EG
England
Telephone (44) 01636-614700
Fax (44) 01636-611090
<http://www.genielift.com>