

**Electric
Self-Propelled
Articulating
Boom**

Z-45/22 DC



Now drives
and lifts faster,
runs longer.



Genie Industries

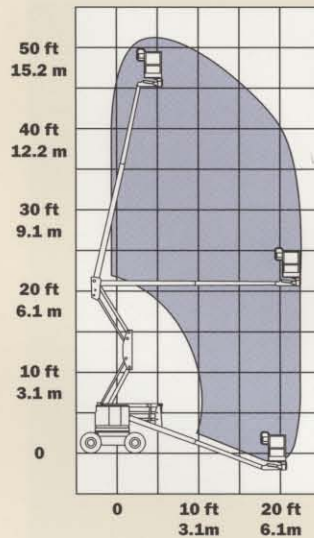
New improvements make this boom a better value than ever:

- Increased drive speed of up to 3.5 mph (5.6 km)
- Increased battery efficiency for longer operation
- Direct electric motor drive conserves battery life
- Increased lift speed for ascent and descent
- New electric auxiliary power unit eliminates hand pump
- Systems components have been simplified and reduced overall
- A common drive system throughout our entire DC product line

Standard Features

- Dual parallelogram riser design allows ascent and descent along a vertical plane without retraction or extension of the boom
- Drive enable system informs operator when the drive and steer functions will move opposite the controller movements
- Easily accessible components for routine maintenance
- The Z-45/22 DC is clean and quiet indoors, ideal for emission and noise-sensitive areas
- Overnight charging capabilities
- 51 ft (15.5 m) working height
- 23 ft (7 m) horizontal reach
- 5 ft 11 in (1.8 m) width
- 500 lb (227 kg) lift capacity
- 180° powered platform rotation
- Full proportional controls
- AC outlet in platform
- Auxiliary power unit

Range of Motion



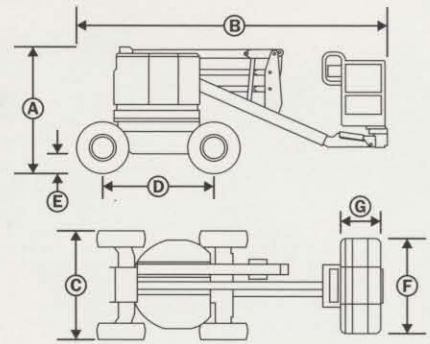
- Tilt sensor
- Removable key switch

Options and Accessories

- Industrial air or industrial foam-filled tires
- Platforms in 4, 5 or 6 ft (1.2, 1.5 or 1.8 m) steel
- 48V battery charge indicator
- Low voltage interrupt with battery charge indicator
- Platform rail pinch guard
- Air line to platform
- Platform gate
- Platform gate with interlock
- Platform entry toeboard
- Locking platform control box cover
- Tool tray
- Hour meter
- Descent/travel alarms and flashing beacon package

Standards Compliance

- ANSI/SIA A92.5
- CSA CAN3-B354.4-M82
- CE compliance option



Specifications

	US	Metric
(A) Height - stowed	6 ft 6 in.	1.98 m
(B) Length - stowed	17 ft 10 in	5.4 m
(C) Width	5 ft 10 in	1.8 m
(D) Wheelbase	6 ft 4 in	1.9 m
(E) Ground clearance	8 in	20 cm
(F) Platform length	72 in	183 cm
(G) Platform width	30 in	76 cm
Working height max	51 ft	15.5 m
Platform height max	45 ft	13.7 m
Horizontal reach max	23 ft	7 m
Up and over clearance	21 ft 3 in	6.5 m
Lift capacity	500 lbs	227 kg
Turning radius (outside)	14 ft 4 in	4.4 m
Turning radius (inside)	7 ft	2.1 m
Turntable rotation	359°	359°
Tailswing	zero	
Power source	48V (8 6V 350AH batteries)	
Drive speed - stowed	0-3.5 mph	0-5.6 km/h
Drive speed - raised	0-0.6mph	0-1 km/h
Controls	24V DC proportional	
AC outlet in platform	standard	
Auxiliary pump	standard 24V DC	
Tires (Industrial)	9-14.5 LT	9-14.5 LT
Gradeability	25%	25%
Hydraulic reservoir capacity	17.7 gal	67 ltr
Weight	13,610 lb	6,173 kg

Distributed By:

Genie Industries

GENIE UNITED STATES

18340 NE 76th Street
P.O. Box 97030
Redmond, Washington 98073-9730
Telephone (425) 881-1800
Toll Free 800-536-1800
Fax (425) 883-3475
<http://www.genielift.com>

GENIE UNITED KINGDOM

Brunel Drive
Newark
Nottinghamshire
NG24 2EG England
Telephone (44) 01636-605030
Fax (44) 01636-611090
<http://www.genielift.com>